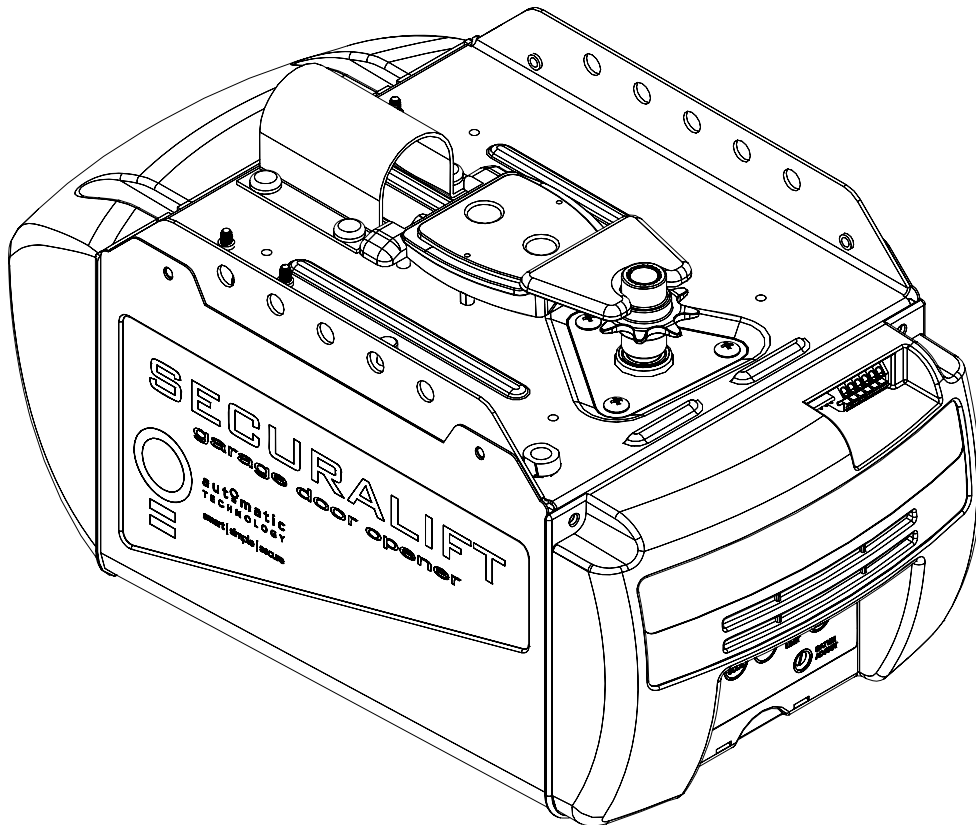




GDO-7v2 SecuraLift®

Overhead Garage Door Opener



Featuring **TrioCode™** Technology

aut^omatic
TECHNOLOGY

smart | simple | secure



WARNING: It is vital for the safety of persons to follow all instructions. Failure to comply with the installation instructions and the safety warnings may result in serious personal injury and/or property and remote control opener damage. Please save these instructions for future reference.

Automatic Technology Australia Pty Ltd to the extent that such may be lawfully excluded hereby expressly disclaims all conditions or warranties, statutory or otherwise which may be implied by laws as conditions or warranties of purchase of an Automatic Technology Australia Pty Ltd Garage Door Opener. Automatic Technology Australia Pty Ltd hereby further expressly excludes all or any liability for any injury, damage, cost, expense or claim whatsoever suffered by any person as a result whether directly or indirectly from failure to install the Automatic Technology Australia Pty Ltd Garage Door Opener in accordance with these installation instructions.



GDO-7v2 SecuraLift®

Overhead Garage Door Opener

Important Safety Instructions	4
Features	6
Operating Controls	8
Package Contents	10
Installation	11
Tube Rail Assembly	11
Determine the Door Type	12
Mounting on a Track Type Door	13
Mounting on a non-Track Type Door	14
Mounting Door Bracket & Arms	15
Programming the Opener	16
Setting Limits	16
Setting Limits: via Transmitter	17
Safety Obstruction Force	18
Safety Obstruction Force Test	18
Adjustin Safety Obstruction Forces	19
Coding Transmitters	20
Door	20
Courtesy Light	20
Vacation Mode	20
Pet (Pedestrian)Mode	20
Remotely Coding Transmitters	21
Deleting Transmitter Codes	21
Accessories	22
Photo Electric Beam	22
Auto-Close	22
Final Set Up	23
Courtesy Light Time	23
Pet Mode Door Height	23
Wall Mounted Transmitter	23
Re-Initialising	23
Parameters	24
Door Status Indicators	24
Button Functions	25
System Specifications	26
Troubleshooting Guide	27
Maintenance	28
Spare Parts	29
Warranty	30





Important Safety Instructions

WARNING: It is vital for the safety of persons to follow all instructions. Failure to comply with the following Safety Rules may result in serious personal injury and/or property damage.

CAUTION: If your garage has no pedestrian entrance door, an emergency access device should be installed. This accessory allows manual operation of the garage door from outside in case of power failure.

For **ADDITIONAL SAFETY** protection we **STRONGLY** recommend the fitting of a Photo Electric (P.E.) Beam. In most countries P.E. Beams are mandatory on all garage doors fitted with automatic openers. For a small additional outlay Automatic Technology recommends that Photo Electric Beams be installed with the automatic opener ensuring additional safety and peace of mind.

DO NOT operate the opener unless the garage door is in full view and free from objects such as cars and children/people. Make sure that the door has finished moving before entering or leaving the garage.

DO NOT operate the opener when children/persons are near the door. Children must be supervised at all times when the SecuraLift® is in use. **Serious personal injury** and/or property damage can result from failure to follow this warning.

DO NOT allow children to operate the SecuraLift®. **Serious personal injury** and/or property damage can result from failure to follow this warning.

Regularly check to make sure that the **safety obstruction force** is working correctly, and is **tested** and set as per **page 18 of this manual**. Failure to follow these instructions could result in **serious personal injury** and/or property damage. This test must be repeated at regular intervals and the necessary adjustments made as required.

Doors requiring over 400N of force to move must have P.E. Beams installed.

DO NOT disengage the door opener to manual operation with children/persons or any other objects including motor vehicles within the doorway.

The door opener is not intended for use by young children or infirm persons without adequate supervision. Children should be supervised to ensure that they do not play with the remote transmitters or the opener.

Keep hands and loose clothing **clear** of the door and door opener at all times.



Important Safety Instructions

The unit should be installed so that it is protected from the elements. It should not be exposed to water or rain. It is not to be immersed in water or sprayed directly by a hose or other device.

The garage door must be **well balanced**. Sticking or binding doors must be repaired by a qualified garage door installer prior to installation of the opener.

Frequently examine the installation, in particular cables, springs and mountings for signs of wear, damage or imbalance. **DO NOT** use if repair or adjustment is needed since a fault in the installation or an incorrectly balanced door may cause injury. **DO NOT** attempt to repair the door yourself as hardware is under extreme tension.

Remove or disengage all garage door locks and mechanisms prior to installation of the opener.

Connect the opener to a properly **earthed** general purpose 240V mains power outlet installed by a qualified electrical contractor.

Disconnect the power cord from mains power before making any repairs or removing covers. Only **experienced** service personnel should remove covers from the opener.

When using auto close mode, a **photo electric beam** must be fitted correctly and tested for operation at regular intervals. **Extreme caution** is recommended when using auto close mode. **All safety rules** must be followed.

In order for the SecuraLift® to **sense** an object obstructing the door way, some **force** must be exerted on the object. As a result the object, door and/or person may suffer **damage** or **injury**.

If the power supply cord is damaged, it **must** be replaced by an Automatic Technology service agent or suitably qualified person.

Make sure that the door is fully open before driving in or out of the garage and fully closed before leaving the driveway.

Make sure that remote controls are kept out of reach of children.

Install the wall switch or wall mounted transmitter in a location where it is out of reach of children and the





Features

Thank you for purchasing the Automatic Technology SecuraLift® Automatic Garage Door Opener. Designed by our renowned engineers to suit sectional overhead and one piece tilt up doors, the SecuraLift® will provide years of smart, simple & secure convenience to your home.

Operation

To open or close the door simply press a button on a TrioCode™ handheld transmitter, a wall mounted transmitter, or optional wall switch for two seconds. During open and close cycles the door can be stopped by pressing the button again. The next actuation will move the reverse the door's direction.

TrioCode™ Code Hopping Technology

Every time a TrioCode™ transmitter is used a new security code is randomly generated from over 4.29 billion possibilities. This greatly enhances the security of the system and makes "code grabbing" a thing of the past

These transmitters also overcome interference issues by simultaneously sending a signal over three slightly different frequencies. Even if two of the three signals are jammed, the system will still work.

S-ALPS (Semi Automatic Limits Positioning System)

The S-ALPS system does away with manual adjustment of the door's limits position using mechanical parts, such as cams and microswitches. During installation the handheld transmitter can be programmed to set the limits positions.

Anti-travel electronic brakes

The SecuraLift® features an anti-travel electronic brake mechanism to ensure the opener stops the door at exact location

ISS (intelligent safety obstruction system)

While the door is performing a close cycle, should it hit an obstacle or be restricted in some manner, it will automatically reverse. The amount of force the door should encounter before reversing is automatically adjusted by the doors control system during the initial installation of the automatic door opener. The door will also stop if restricted whilst opening. The Safety Obstruction Force should be checked at least once a month. See installation manual for instructions.





Overload indicator

When the maximum opening and closing capacity of the SecuraLift® is exceeded the red and green Limits LEDs flash alternately to indicate that an overload has occurred.

Auto courtesy light

The SecuraLift® courtesy light comes on automatically whenever the door is activated. The light can also be switched on and off without operating the door by coding a dedicated button on a TrioCode™ transmitter. The light will stay on for approximately three minutes then switch off. This time is adjustable.

Vacation mode

A hand held transmitter can be programmed to lock and unlock all other transmitters that have been programmed into the openers' memory. The vacation mode can be used when the door is left idle for long periods of time.

Pet/Pedestrian mode

The hand held transmitter can be programmed to open the door partially so that the family pet can enter and exit the garage at any time. You may also wish to open the door to a height suitable only for pedestrian access. The door opening position is also programmable.

Auto-close mode

The opener can be programmed to automatically close after an open cycle. The auto-close time is adjustable. It is compulsory to install a P.E. Beam if this mode is selected, otherwise the door may cause personal injury or damage to property.

Photo Electric (P.E.) Beam (optional)

The opener has an input for a P.E. beam to be connected for extra safety protection and use of the auto-close mode.

Manual operation

The opener is equipped with a unique manual disengaging device. If the power to the opener is disrupted for any reason the door can be put into manual mode by pulling down on the string handle on an angle towards the door. This will allow you to manually open or close the door. To re-engage the opener pull the string

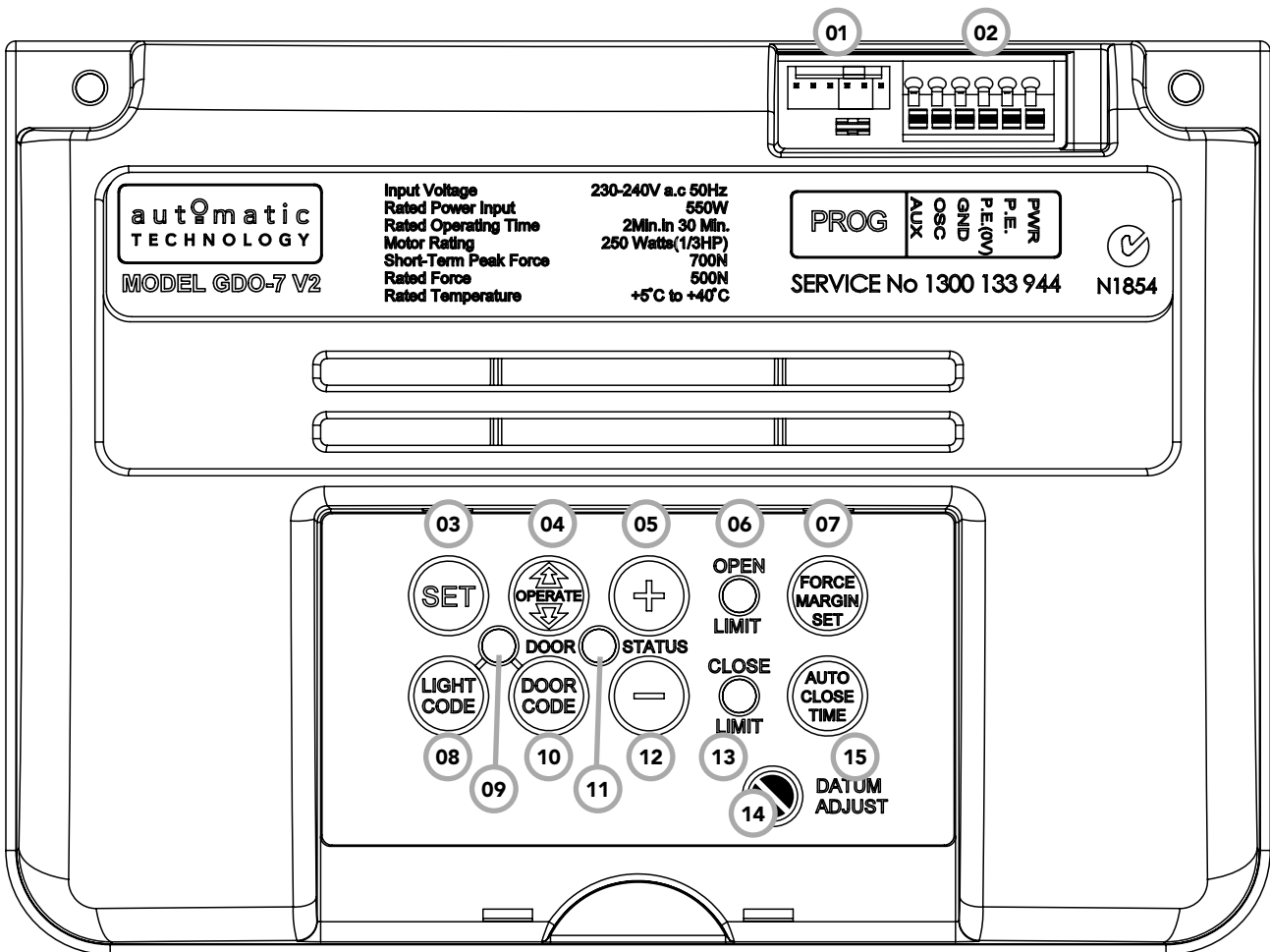




Operating Controls

- 01 **P.E. Shunt.** The shunt has to be removed when connecting a Photo Electric Beam.
NOTE: P.E. Shunt must only be removed when P.E. Beams are being connected, otherwise the opener will malfunction. PROG INPUT is used to connect of the Automatic Technology Handheld Programmer for the purpose of editing control and receiver functions.
- 02 **Terminal Block.** 24V PWR is used to power devices such as:
 - PE (Input) for photo electric beam for safety and auto-close function.
 - LGT (Input) allow hard wired external trigger for the opener's courtesy light.
 - O/S/C INPUT is used for the connection of a wired switch (momentary contact). This switch can then be used to open, stop or close the door. Install the wall switch in a location where the switch is out of reach of children and the garage door is visible.
- 03 **SET** button (yellow) is used during the installation phase together with the Open and Close buttons to set the door limit positions. The Set button is also used to re-initialize the Opener.
- 04 **OPERATE** button (Yellow) is used during installation to test the open, stop and close cycles for the opener. The opener has to be initialised by the Reset button to make the O/S/C button operable.
- 05 **PLUS (+)** button (green) is used during installation to help set the open limit position. Pressing and holding this button will move the door in the open direction, releasing stops the door.
NOTE: The safety obstruction detection is inoperable when the PLUS (+) button is used to move door.
- 06 **OPEN LIMIT LED** (green) the LED is very helpful during installation. It illuminates and flashes when the door is opening and remains steady on when the open limit position has been reached.
- 07 **FORCE MARGIN SET** Button The obstruction force margin is set automatically during installation. The margin can be adjusted manually using the Force Margin Set button (White). Holding the Force Margin Set button and pressing Plus (+) or Minus (-) buttons will increase or decrease the amount of force. The Force Margin Set should only be used if environmental factors (wind, etc.) affect the door's operation.
- 08 **LIGHT CODE** button (white) is used for storing or erasing the transmitter button (code) you wish to use to switch the courtesy light on the opener on or off.
- 09 **CODING LED** (red) light flashes when a code is being stored or when a transmitter button is pressed.
- 10 **DOOR CODE** BUTTON (blue) is used for storing or erasing the transmitter button you wish to use to command the door to open, stop or close.
- 11 **DOOR STATUS LED** (Yellow)
- 12 **MINUS (-)** button (red) is used during installation to help set the close limit position. Pressing and holding this button will move the door in the close direction. Movement stops when the button is released.
NOTE: The safety obstruction detection is inoperable when the MINUS (-) button is used to move door..
- 13 **CLOSE LIMIT LED** (red) the LED is very helpful during installation. It illuminates and flashes when the door is closing and remains steady on when the close limit position has been reached.
- 14 **Datum adjust screw** is used during limits set up to indicate the mid point of the door's travel.
- 15 **AUTO CLOSE TIME** button (White) is used to adjust the auto close time. While holding in the AUTO CLOSE TIME button and then pressing the open button the time is increased. Each press will increase the time by 5 seconds. Pressing the close button will decrease the time.

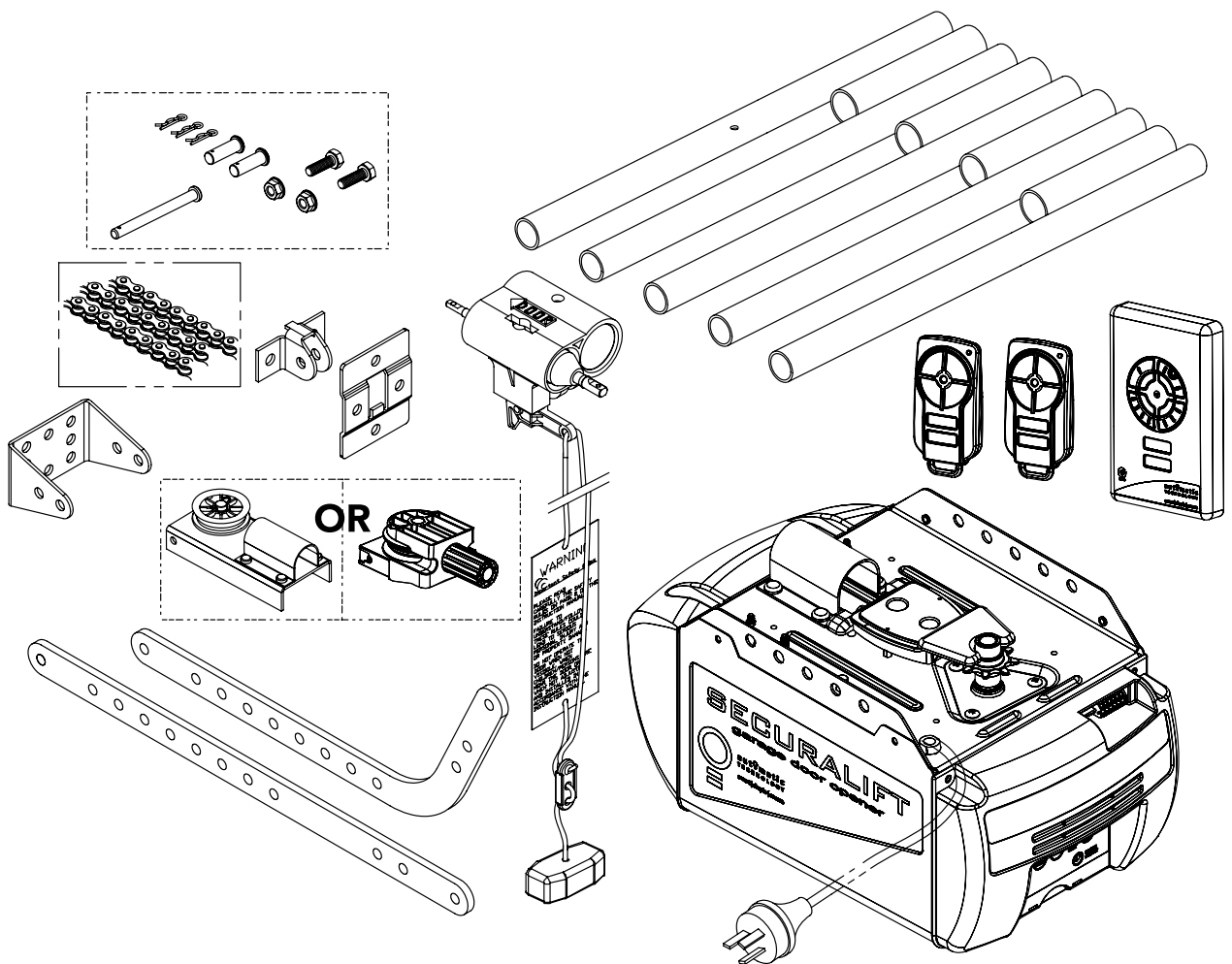


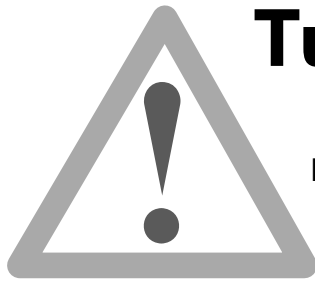




Package Contents

GDO-7V2 Securalift® drive unit	1
TrioCode™ keyring transmitters	2
TrioCode™ wall mounted transmitters (not available all models)	1
Tubes	5
Tube inserts	4
Pipe support assembly (either steel or plastic version)	1
Chain	1
Shuttle assembly	1
Door attachment arms	2
Hardware pack	1
Installation Manual	1





Tube Rail Assembly

IMPORTANT SAFETY INSTRUCTIONS FOR INSTALLATION

**Warning: Incorrect installation can lead to severe injury.
Follow ALL installation instructions.**

Step 1 - Assembling Rail



NOTE: Arrow on shuttle must point towards the door.

- Slide the shuttle assembly onto the long tube with a hole. Match the holes on the tube and the shuttle and hold the two in position with a screwdriver (**Fig. 01**). Position the long tube with affixed shuttle assembly in the intended centre of the finished rail.
- Slide insert tubes halfway into each end of long tube.
- Slide another long tube onto the protruding inserts.
- Continue this process, adding the same number of long tubes either side of the centre assembly, until the desired length is achieved.
- At the door end of the finished rail, attach the pipe support assembly (**Fig. 02**). If a STEEL version, slide the the rail into the slot. If a PLASTIC version, slide the pipe support assembly's end into the tube rail.

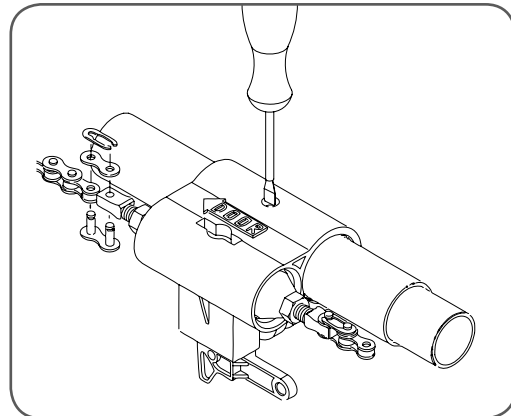


fig 01

Step 2 - Assembling Chain



NOTE: If fitting to a one piece door without track, the supplied 8-tooth drive sprocket must be replaced with a 7-tooth version (available seperately).

- Attach one end of chain to the chain index screw nearest to powerhead using one joint link. (**Fig. 01**).
- Wrap chain around powerhead sprocket and chain spreader (**Fig. 03**), then follow along the pipe to the idler wheel on support pipe assembly,
- Attach chain to the other chain index screw (**Fig. 01**).

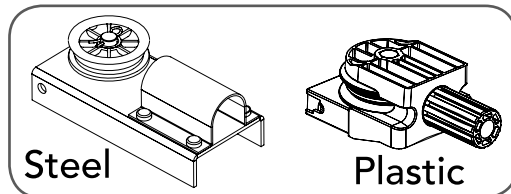


fig 02



NOTE: Make certain that drive sprocket's teeth are engaged in the chain and that the chain is not twisted. Make sure that the chain is engaged in both the chain spreader and the support pipe assembly's idler wheel (**Fig. 03**)

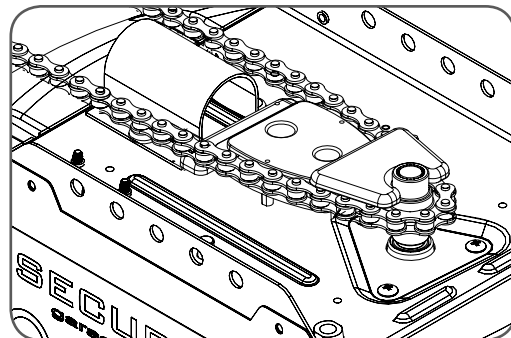


fig 03

Step 3 - Tensioning Chain

- Disengage trolley from chain index by pulling lever downward (**Fig. 04**)
- Slide trolley along the rail away the chain index.
- Loosen locking nuts on chain index screws.
- To tighten chain, turn chain index in anticlockwise direction (looking down towards powerhead end) DO NOT OVERTIGHTEN CHAIN - it must have approximately 6 to 12mm of sag.
- Ensure the chain is not twisted before tightening nuts.
- When the tension is finalised, tighten lock nuts at both ends of chain index.

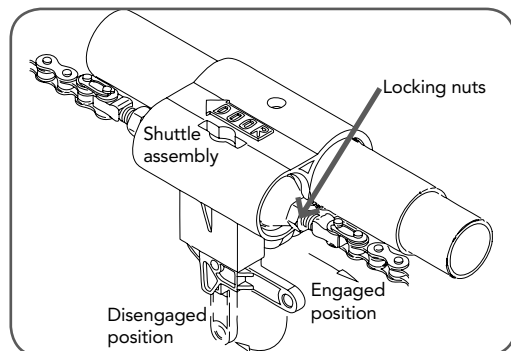


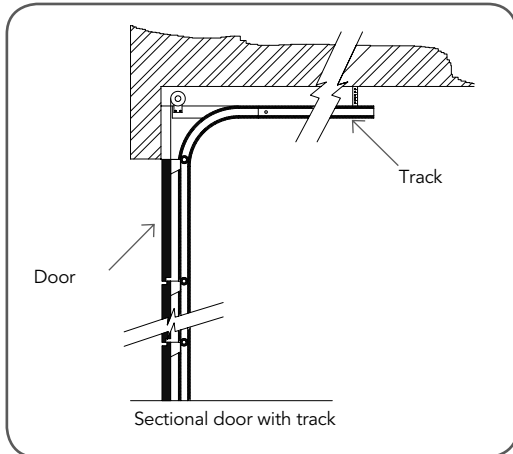
fig 04





Determine the Door Type

fig 05

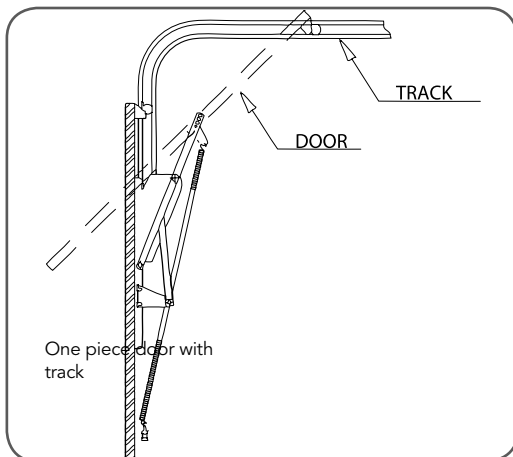


Step 4 - Determine Door Type

Determine which type of garage door you have as illustrated below. (Fig. 05 to 07).

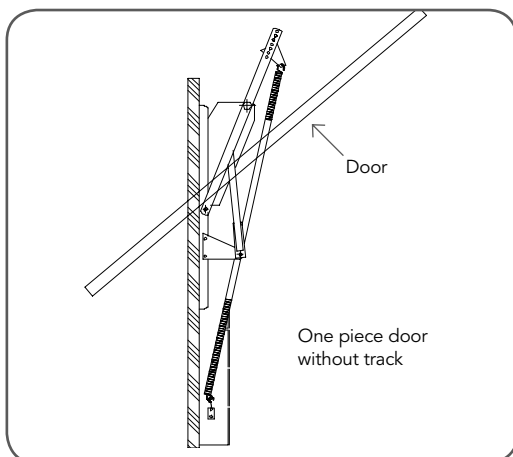
For a sectional (panel) door on tracks (Fig. 05) proceed with the installation from Step 5.

fig 06



For a one-piece door on tracks (Fig. 06) proceed with the installation from Step 5.

fig 07



For a one-piece door without tracks (on springs) (Fig. 07) proceed with the installation from Step 9.





Mounting on a Track Type Door

Step 5 - Determine Bracket Position

- Open the door and find the highest point of travel of the top door panel.
- Using a level, transfer this height to the wall above the door (**Fig. 08**) and mark a line 60mm above it.
- Determine the centre point on the wall above and on top of the door. Draw two lines extending 21.5mm from each side of the centre point. (**Fig. 09**)

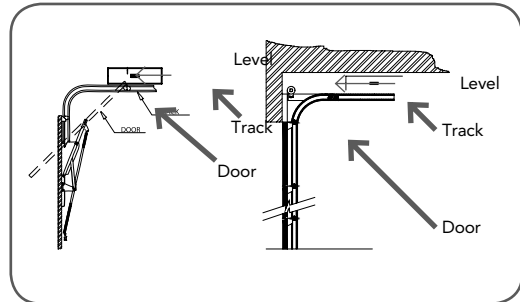


fig 08

Step 6 - Mounting the Wall Bracket

- Centre the bracket over the intersection of these two lines. Mark centres for at least two holes (**Fig. 09**).
 - Ensure this is into a solid mounting point
- Drill holes into the wall with an appropriate bit.
- Secure to the wall using:
 - IF CONCRETE OR BRICK - 8mm or 5/6 loxins or dynabolts.
 - IF TIMBER - wood screw #20 or equivalent (minimum 50mm long).

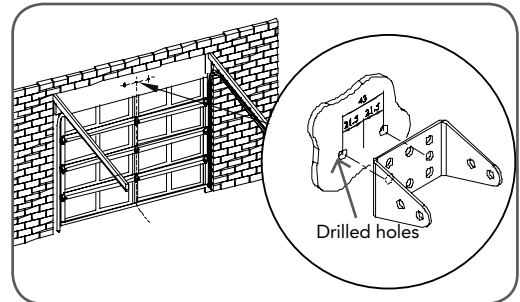


fig 09



WARNING: Make sure concrete, brick wall or timber lintels are solid and sound so as to form a secure mounting platform.

Step 7 - Attach the Rail to the Wall Bracket

- Attach the tube rail assembly to the wall bracket with the 90mm long clevis pin and secure with the supplied snap pin (**Fig. 10**)
- Leave the powerhead in its packing box for protection during installation.

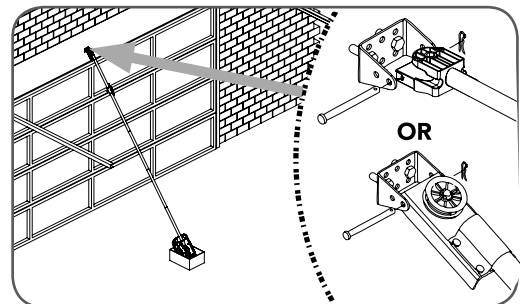


fig 10

Step 8 - Secure the Powerhead to the Ceiling

- Raise the powerhead from the packing box and support it in the horizontal position with a step ladder.
- Open the garage door. Rest the opener on the open door and use a scrap piece of wood to bring it to horizontal level.
- Line up the track perpendicular to the wall.
- Secure the perforated angle (not supplied) to the ceiling above where powerhead's mounting holes will be once fully installed. A representative mounting is shown (**Fig. 11**)
- Connect the powerhead to the ceiling mounted perforated angle with M8x20mm screws and nuts. Strips should not extend more than 18mm below centre of powerhead mounting holes.

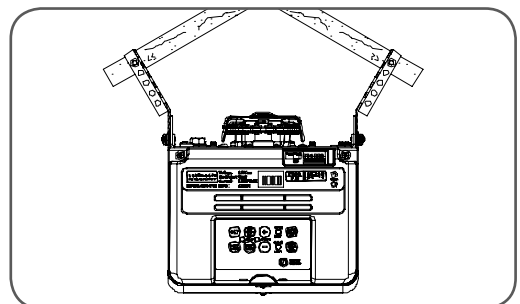


fig 11

Go to Step 14 on page 14.



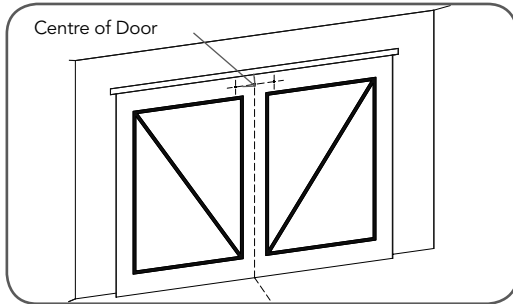
WARNING: The opener must be securely fastened to structural supports otherwise opener failure may ensue, causing serious personal injury and/or property damage.





Mounting on a non-Track Type Door

fig 12



WARNING: Make sure concrete, brick wall or timber lintels are solid and sound so as to form a secure mounting platform.

Step 9 - Determine the Door's Centre

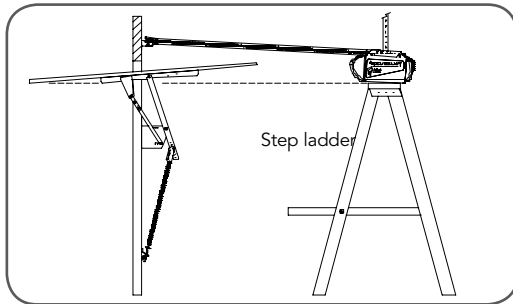
- Find the centre of the door and mark this location both above the door and on top of the door.
- Draw two lines 21.5mm either side of this (Fig. 12).

Step 10 - Prepositioning the Opener

- Raise the door to open position.
- Rest the opener on the top edge of the door with end of the rail against the wall (Fig. 13).
- Support the powerhead level with the lowest point of the open door (Fig. 13).

NOTE: Do not slide rail along the face of the door.

fig 13



Step 11 - Mounting the Tube Rail

- Close the door slowly. The rail will be elevated by the top edge of the door as it moves.
- Stop the door when it is at its highest point of travel. Allow 25mm additional height for clearance between the door and the track (Fig. 14).
- Support the Rail in this position and close the door
- The height determined in Step 11(b) will be the height at which to mount the wall bracket.
- Centre the bracket along the line determined in Step 9
- Using the bracket as a template, mark a minimum of two holes and drill with appropriate size bit. For a more secure fitting, the wall bracket can be anchored using more than two holes.
- Secure the bracket to the wall using:
IF CONCRETE OR BRICK - 8mm or 5/6 loxins or dynabolts.
IF TIMBER - wood screw #20 or equivalent (minimum 50mm long).
- Attach the bracket to the support pipe assembly with the 90mm long clevis pin (Fig. 15) and a snap pin.

fig 14

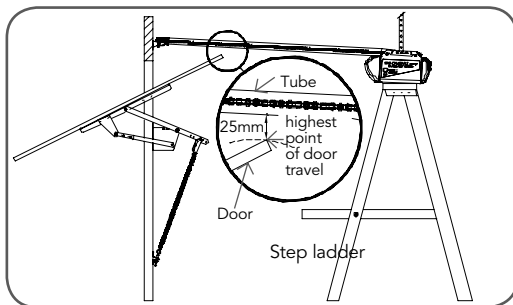
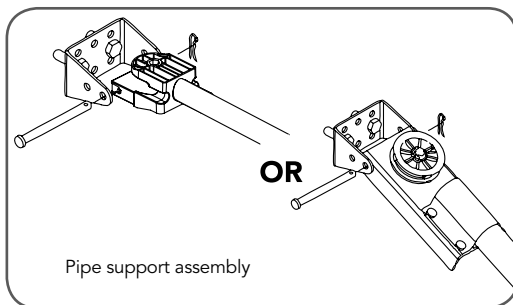


fig 15



WARNING: The opener must be securely fastened to structural supports, otherwise opener failure may ensue causing serious personal injury and/or property damage.



Mounting Door Bracket & Arms

Step 13 - Mounting Door Bracket

The door bracket comes in two parts. The bottom plate with two mounting holes is used on its own for one piece doors. For sectional doors, the top plate is placed over the bottom plate and is fixed with four (4) screws (**Fig. 16**).

- Mount the door bracket, or bracket assembly, on the door's centre line one-third down the top panel (**Fig. 16**) using M6 or equivalent screws (not supplied),
- STEEL DOORS ONLY:** Bracket can be welded in place.



NOTE: If in doubt about the door's strength, reinforcement may be added to the door's frame where necessary. Door damage may occur if the bracket is installed on a panel with insufficient strength. The opener's warranty does not cover damage caused to the door and/or door panels.

Step 14 - Attaching the Arms

FOR SECTIONAL AND ONE PIECE DOORS WITH TRACK:

- Assemble the bent and straight arms with bolts and nuts supplied in the accessory pack (**Fig. 17**). Always use both bent and straight arms.
- Connect the assembled arm to the bracket and the disengaged trolley with clevis and snap pins. The angle "A" must be more less than 10° (**Fig. 18**).



WARNING: Connecting the bent arm other way around may damage the door. The straight arm should not protrude beyond heel of bent arm

FOR ONE PIECE DOORS WITHOUT TRACK

- Assemble the bent and straight arms as shown in (**Fig. 19**) with bolts and nuts supplied in the accessory pack. Always use both the bent and straight arms.
- Connect the assembled arm to the bracket and the disengaged trolley with clevis and snap pins.
- If installing on a door with a bad wave action, lengthening the arm will assist in reducing this effect.



IMPORTANT NOTE: Adjust the length of the cord so that its toggle is no more than 1.8m from the ground.

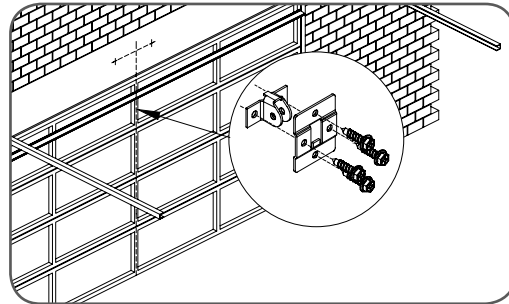


fig 16

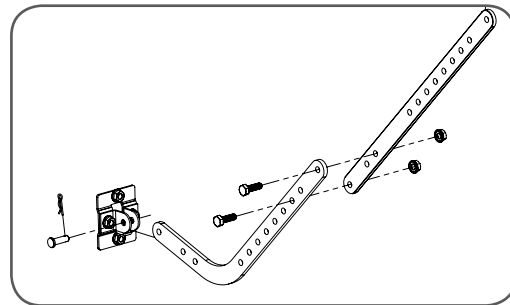


fig 17

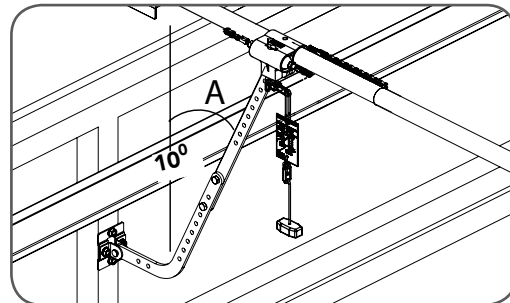


fig 18

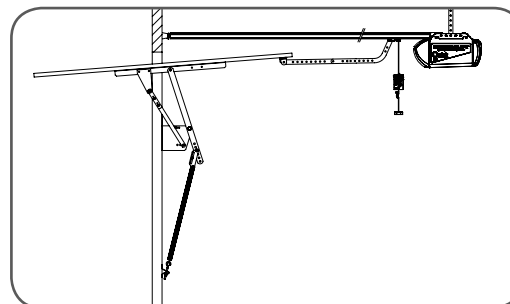


fig 19





Setting Limits

fig 20

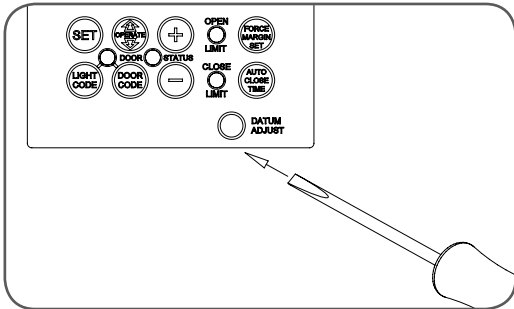
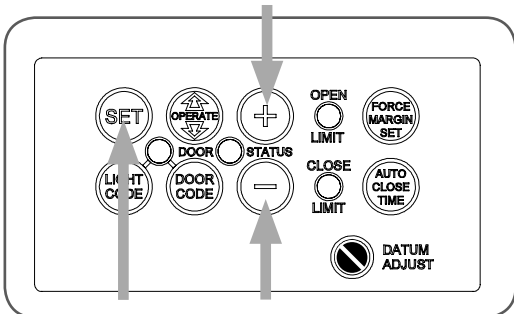


fig 21



NOTE: If P.E. Beams are to be used they must be installed before setting the travel limits.

Step 15.1 - Remove Controls Cover

Remove the controls cover to access the control panel. Replace it when setup is completed.

Step 15.2 - Connect Power to the Powerhead

Plug the power cord into a mains point and switch power on. The red CLOSE LIMIT LED will be flashing.



WARNING: The safety obstruction detection system is inoperable while MINUS (-) and PLUS (+) drive buttons are being used and travel limits are not set.

Step 15.3 - Set the Datum Position

- Press and hold the MINUS (-) or PLUS (+) buttons to move the door to the halfway position. Ensure that the door, shuttle and chain index are engaged.
- Using a small screwdriver, turn the DATUM ADJUST screw until the STATUS LED comes on (**Fig 20**).
 - » If the STATUS LED is already illuminated when the door is halfway up, turn the DATUM ADJUST screw until the light goes off, then turn back one notch to illuminate again.

Step 15.4 - Set the Limits Positions

- Press and hold the MINUS (-) button until the door reaches the desired close limit position. Single presses will inch the door closed (**Fig. 21**).
- Press the LIMIT SET button to store the close position into memory (**Fig. 21**).
- Press and hold the PLUS (+) button until the door reaches the desired open limit position. Single presses will inch the door open (**Fig. 21**).



IMPORTANT WARNING: The door will automatically close, open and close again **once Step 15.4(c) is performed**. Ensure that no persons or objects are in the door's path.

- Press the LIMIT SET button to store the close position into memory (**Fig. 27**).
- The door will now automatically close and open to calculate the safety obstruction settings. After this, the opener can be operated with the OPERATE button.

Step 15.5 - Resetting the Door Limit Positions

Limit positions can be deleted by the following steps:

- Press and hold the MINUS (-) button for six (6) seconds until you hear three beeps and the CLOSE LIMIT LED starts to flash (**Fig. 21**).
- Release the CLOSE button.
- Repeat Steps 15.1 to 15.4 to set new travel limit positions..





Setting Limits: via Transmitter

The GDO-7v2 has the unique ability to set travel limits using the transmitter, allowing the installer to move around the garage and door to better assess the desired close and open limit positions.

Step 16.1 - Power Up and Set the Datum

- Follow Steps 15.1 to 15.3 as outlined overleaf. **Observe all warnings!**

Step 16.2 - Code a Transmitter for Limit Setting

- Press and hold the DOOR CODE button (Fig. 22).
- Press Button 1 on the transmitter for two seconds (Fig. 23). Release and pause for two seconds. Press the same button again on the transmitter for two seconds.
- Release the DOOR CODE button.

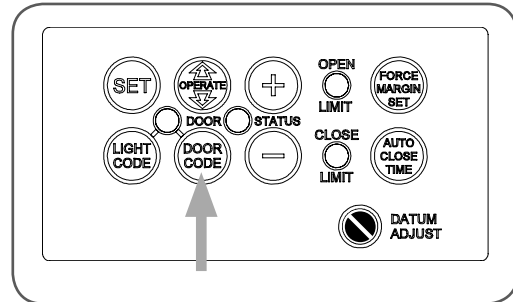


fig 22

Step 16.3 - Setting Limits via Transmitter

- Press and hold Button 4 on the transmitter to close the door. When the door is approx. 2cm from the ground, press and hold Button 3 for two seconds and release (Fig. 23).
- Each press of Button 4 will allow you to "inch" the door closed. Keep doing this until the door reaches the desired close limit position.
 - » If the door is closed too far, press Button 1 to "inch" the door towards open
- When happy with the close limit position, press Button 2 to store this in memory.
- Press Button 1 to open the door. When approx. 2cm from the desired open position, press and hold Button 3 for two seconds then release.
- Each press of Button 1 will allow you to "inch" the door open. Keep doing this until the door reaches the desired open limit position.
 - » If the door is opened too far, press Button 4 to "inch" the door towards closed

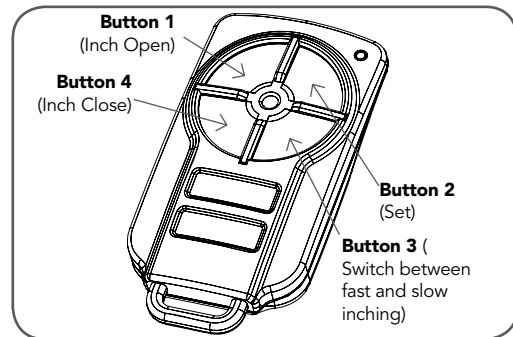


fig 23



IMPORTANT WARNING: The door will automatically close, open and close again **once Step 16.3(f) is performed**. Ensure that no persons or objects are in the door's path.

- When happy with the open limit position, press Button 2 on the transmitter to store into memory.
- The door will now automatically close and open to calculate the safety obstruction settings. After this, the opener can be operated with the OPERATE button.

Step 16.4 - Resetting the Door Limit Positions

Limit positions can be deleted by the following steps:

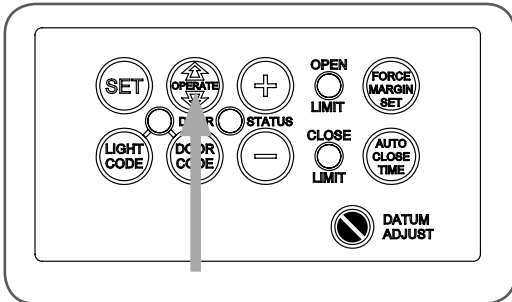
- Follow Steps 15.5 (a) and (b), as outlined overleaf.
- Repeat Steps 16.1 and 16.3 to set new travel limit positions.
 - » There is no need to re-code the transmitter (Step 16.2) upon resetting travel limits. The transmitter will still be stored in memory.





Safety Obstruction Force Test

fig 24

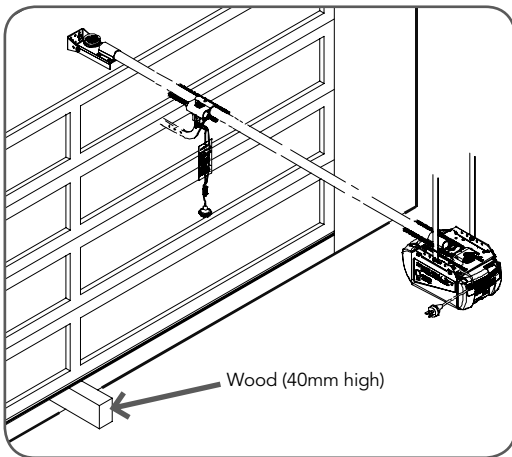


WARNING! Take care when testing or adjusting the Safety Obstruction Force. Excessive force may cause **SERIOUS PERSONAL INJURY** and/or **PROPERTY DAMAGE**.

Step 17.1 - Testing Close Cycle

- Press the OPERATE button to open the door (**Fig. 24**).
- Place a piece of timber approximately 40mm high on the floor directly under the door (**Fig. 25**).
- Press the OPERATE button to close door. The door should strike the object and start to re-open.

fig 25



Step 17.2 - Testing Open Cycle

- Press the OPERATE button to close the door (**Fig. 24**).
- Press again to open the door. When the door reaches the half open point, grab the bottom rail of the door firmly and the door should stop.
- If the door does not reverse readily when closing, or stop when opening, the force may be excessive and need adjusting, refer below.



DANGER! If the door fails these tests, put the opener into manual mode, only operate the door by hand and call for service.



Adjusting Safety Obstruction Forces

Adjusting Safety Obstruction Force

The Safety Obstruction Force is calculated automatically during setup. Adjusting this is normally only necessitated by environmental conditions such as windy or dusty areas, and areas with extreme temperature changes.



WARNING: Doors requiring over 400N of force to move must have P.E. Beams fitted for safety.

Step 18.1 - To Increase Force Pressure

- Hold down FORCE MARGIN SET button (**Fig. 26**)
- While holding the FORCE MARGIN SET button, press the PLUS (+) button. Each press increases the force margin.
- The OPEN LIMIT LED will flash each time the PLUS (+) button is pressed to indicate a force increase
 - If the OPEN LIMIT LED flashes continuously when pressing the PLUS (+) button this indicates that the maximum setting has been reached.
- Test the force again as per Steps 17.1 and 17.2

Step 18.2 - To Decrease Force Pressure

- Hold down FORCE MARGIN SET button (**Fig. 26**)
- While holding the FORCE MARGIN SET button, press the MINUS (-) button. Each press decreases the force margin.
- The CLOSE LIMIT LED will flash each time the MINUS (-) button is pressed to indicate a force increase
 - If the OPEN LIMIT LED flashes continuously when pressing the PLUS (+) button this indicates that the maximum setting has been reached.
- Test the force again as per Steps 17.1 and 17.2

Step 18.3 - To Recall Factory Set Force

- While holding down the FORCE MARGIN SET button, press the LIMIT SET button for two (2) seconds.
- Release both buttons. The default setting should now be recalled.

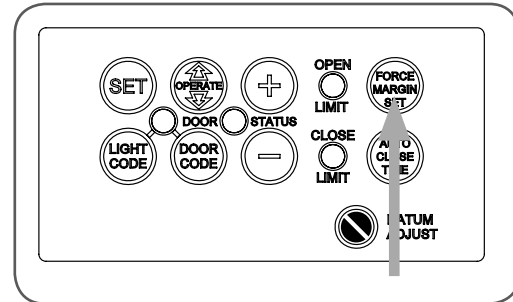


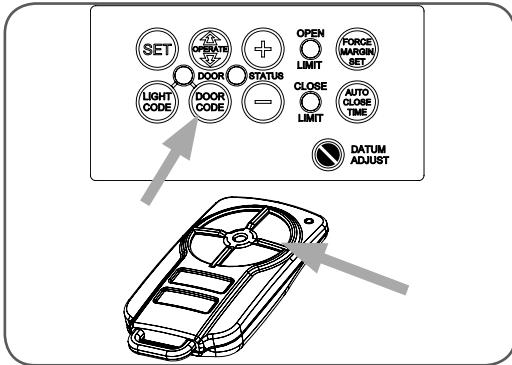
fig 26





Coding Transmitters

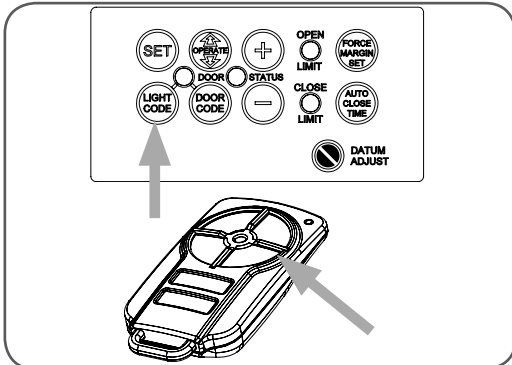
fig 27



Step 19.1 - Code a Transmitter Button for Door Operation

- Press and hold the DOOR CODE button (**Fig. 27**).
- Press one of the four buttons on the transmitter for two (2) seconds, pause for two (2) seconds, then press the same button again for two (2) seconds.
- Release the DOOR CODE BUTTON.
- Press the transmitter button to test.

fig 28

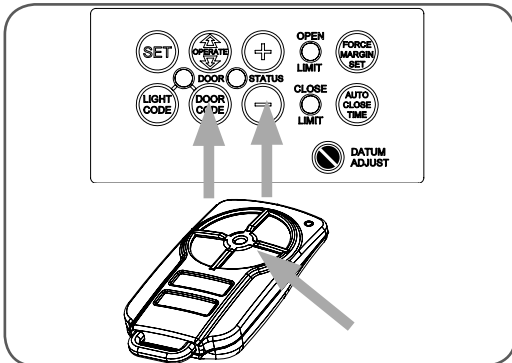


Step 19.2 - Coding a Transmitter Button to the Courtesy Light

The transmitter can be programmed to operate the courtesy light on the opener independently of the door moving.

- Press and hold LIGHT CODE button (**Fig. 28**).
- Press one of the four buttons on the transmitter for two (2) seconds, pause for two (2) seconds, then press the same button again for two (2) seconds.
- Release the LIGHT CODE button.
- Press the transmitter button to test.

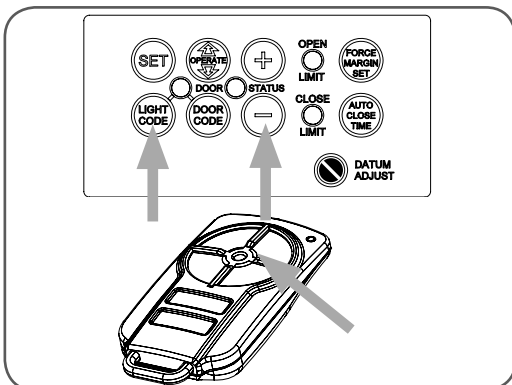
fig 29



Step 19.3 - Code a Transmitter Button for Pet (Pedestrian) Mode

- Press and hold both the DOOR CODE and MINUS (-) buttons (**Fig. 29**).
- Press one of the four buttons on the transmitter for two (2) seconds, pause for two (2) seconds, then press the same button again for two (2) seconds.
- Release the DOOR CODE and MINUS (-) buttons.
- Press the transmitter button to test. To change the default pet (pedestrian) door opening position, refer Step 2.

fig 30



Step 19.4 - Code a Transmitter Button to Enable Vacation mode

The opener can be programmed into a "Vacation Mode" where the opener will not respond to any transmitter except one pre-programmed unit.

- Press and hold LIGHT CODE and MINUS (-) buttons (**Fig. 30**).
- Press one of the four buttons on the transmitter for two (2) seconds, pause for two (2) seconds, then press the same button again for two (2) seconds.
- Release LIGHT CODE and MINUS (-) buttons.
- To test, press and hold the transmitter button for five seconds to set Vacation Mode.
- To reset Vacation Mode press the same button for two seconds.





Coding Transmitters

Step 20 - Remotely Coding Transmitters

Using this method transmitters can be coded without access to the opener's control panel as long as a pre-coded transmitter is available.



IMPORTANT NOTE: The door or courtesy light must activate when the steps below are performed. This indicates that the pre-coded transmitter is in range of the opener, and the correct button has been pressed.

- Take any pre-coded transmitter. Press the button for the function to be duplicated and release.
- Using a small needle, press and hold firmly for two seconds through the Coding Hole (**Fig. 31**).
- WITHIN 10 SECONDS take the additional transmitter you wish to code. Decide which button that you want to activate the function to be duplicated (e.g. activate the door, or turn on the courtesy light)
- Hold the new transmitter's button for two seconds, pause for two seconds, hold again for two seconds and then release.
- Wait for 10 seconds and then press the new transmitter's button to test.

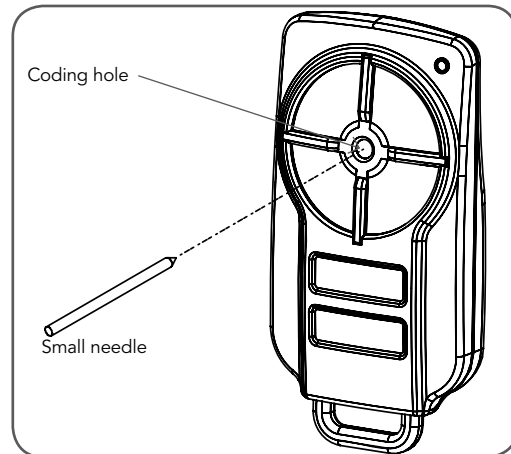


fig 31

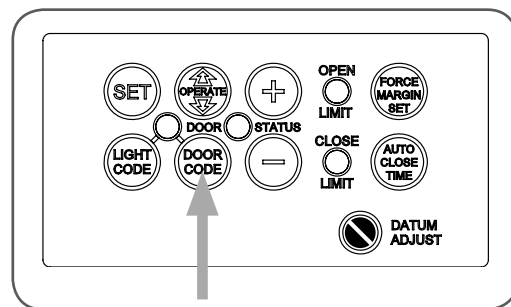


fig 32

Step 21. Deleting Programmed Codes

Step 21.1 - Deleting a Stored Transmitter Code

- Select the transmitter you want to delete.
- Press and hold the DOOR CODE BUTTON (**Fig. 32**).
- Press the transmitter button you would like to delete for two seconds, pause for two seconds, press again for two seconds and then release.
- Release the DOOR CODE BUTTON. The code should now be deleted. Confirm this by pressing the transmitter button - the function (e.g. door opening) should not respond.

Step 21.2 - Deleting All Transmitter Codes

1. Turn off power to the opener.
- While switched off, press and hold the DOOR CODE BUTTON (**Fig. 32**). Turn on power to the opener while holding this button.
- The OPEN LIMIT, CLOSE LIMIT and DOOR STATUS LEDs will illuminate for about five seconds. These LED's will turn off and the CODING LED will illuminate.
- Release the DOOR CODE BUTTON. All stored codes will now be deleted. Confirm this pressing buttons on any previously coded transmitters - the opener should not respond.





Final Set Up

Step 24 - Setting of Courtesy Light Time

The preset courtesy light time is three minutes. This time can be changed by the following:

- Press and hold both the AUTO CLOSE TIME and FORCE MARGIN SET buttons (**Fig. 36**).
- While holding in these buttons, press the PLUS (+) button - each press will add 10 seconds to the light time.
- To decrease the time, follow Step 23(a) and press the MINUS (-) button - each press will deduct 10 seconds from the light time.
- To recall the factory set light time press and hold together the AUTO CLOSE TIME button, the FORCE MARGIN SET button and the SET button for 2 seconds.

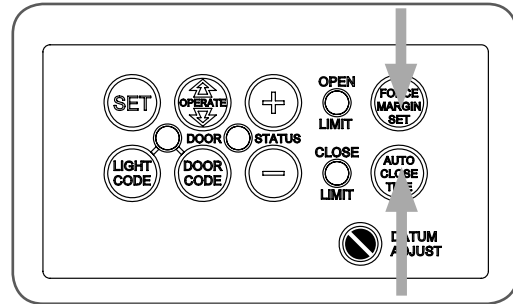


fig 36

Step 25 - Setting the Pet Mode position

The default Pet Mode height can be changed as follows:

- Make sure the door is closed, then press and hold the PLUS (+) button for six (6) seconds (**Fig. 37**), until you hear three beeps and the OPEN and CLOSE LEDs flash rapidly.
- Press the PLUS (+) or MINUS (-) button to move the door to the desired pet mode open position.
- Press the SET button to record the new position.

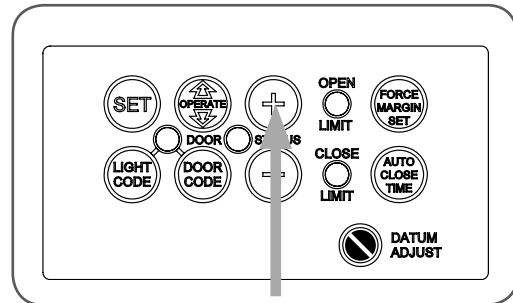


fig 37

When activated, Pet Mode drives the door to the preset position from either above or below. Pet Mode's active status is indicated by both the OPEN and CLOSE LIMIT LEDs being illuminated. If a Pet Mode button is pressed while the door is moving the door will stop. If a Pet Mode button is pressed when the door is in the Pet position, then the door will close.

Step 26 - Installing the Wall Mounted Transmitter (Optional)

- Remove the faceplate from the transmitter.
- Affix the baseplate in a convenient wall location that is out of reach of children and convenient to the customer (**Fig 38**). Make sure the door is visible from this location.
- Replace the faceplate.
- To code the transmitter, see Step 19 on page 20.

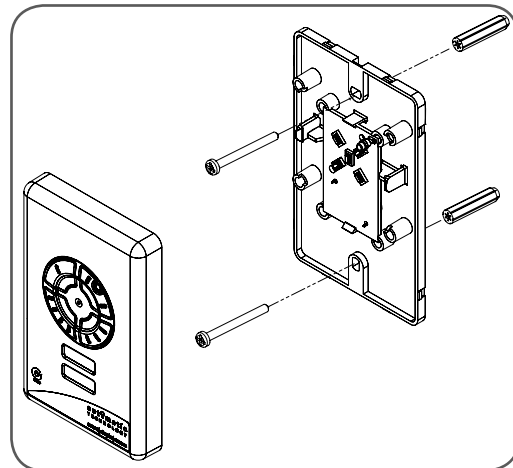


fig 38

Step 27 - Re-initialising the Opener

- Press and hold the SET Button for two (2) seconds, the beeper will sound once (**Fig 39**).
- The door will start to move and re-calculate force margins. The door can move between the open and close limit positions up to four (4) times (depending on the position of the door and the power up condition).
- A single beep will be heard once the initialisation is complete. The door is now ready for use.

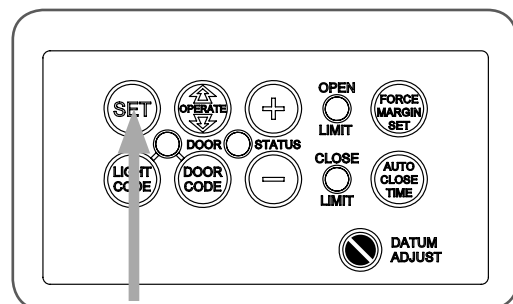


fig 39





Parameters

Door Status Indicators

Door Opener State	OPEN LED (Green)	CLOSE LED (Red)	Beeper
Open	On		
Close		On	
Opening	Flashing		
Closing		Flashing	
Door travel stopped	Flashing		
Door obstructed when opening	Flashing		
Door obstructed when closing		Flashing	Beeps as door moves
Opener overloaded	Alternating flashes	Alternating flashes	
Door in open position with Auto-Close mode selected	One second flashes		
Mains power interrupted	Rapid flashes		





Parameters

Door Status Indicators

Buttons	Function
OPERATE	Opens/Stops/Closes the door
DOOR CODE	Codes a transmitter button for operate function
LIGHT CODE	Codes a transmitter button for light function
DOOR CODE & MINUS (-)	Codes a transmitter button for pet (pedestrian function)
LIGHT CODE & MINUS (-)	Codes a transmitter button for vacation function
FORCE MARGIN SET & PLUS (+)	Increases the obstruction force margin setting
FORCE MARGIN SET & MINUS (-)	Decreases the obstruction force margin setting
FORCE MARGIN SET (then) SET	Reloads the factory set default obstruction force margin setting
AUTO CLOSE TIME (then) PLUS (+)	Increases the auto close delay time
AUTO CLOSE TIME (then) MINUS (-)	Decreases the auto close delay time
AUTO CLOSE TIME (then) SET	Reloads the factory set default auto close delay time
FORCE MARGIN SET & AUTO CLOSE TIME (then) PLUS (+)	Each press of the open button increases the light time by 10 secs.
FORCE MARGIN SET & AUTO CLOSE TIME (then) MINUS (-)	Each press of the open button decreases the light time by 10 secs.
FORCE MARGIN SET & AUTO CLOSE TIME (then) SET	Reloads the factory default light time
MINUS (-) (for 6 secs.)	Clears the door limits set positions. Limits then need to be reset
SET & CLOSE (for 2 secs.)	Enters pet (pedestrian) position mode
SET (then power on) & hold until all LEDs are off	Deletes control parameters excluding transmitter storage memory
DOOR CODE (then power on) & hold until all LEDs are off	Deletes all transmitter storage memory
SET & DOOR CODE (the power on) and hold until all LEDs are off	Deletes all control parameters and transmitter storage memory.
SET	Re-initialises the Opener to re-calculate force margin





Default Settings & Specifications

Factory Default Settings

	Default	Step	Maximum
Maximum motor run time	30 secs	-	-
Courtesy light time	4 mins	10 secs	10 mins
Obstruction force margin	3	1	27
Auto close time	0 secs	5 secs	4 mins

Technical Specifications

Power supply	230V - 240Va.c. 50Hz
Standby power	2.2 Watts
Motor power	250 Watts (1/3 HP)
Motor type	Alternating Current
Shuttle travel distance	* 2.7m approx. (Standard)
Maximum shuttle travel distance in the C-Rail	* 3.750m (with extension)
Maximum door opening:	Width: 5500mm (16.5m ²) Height: 3000mm Weight: 100kg
Short term peak force	800N (80kg)
Lift force	600N (60kg)
Nominal force	150N (15kg)
Receiver type	UHF Multi-frequency FM Receiver
Receiver code storage capacity	24 X 4 button Transmitter Codes
Transmitter frequency	UHF Multi-frequency FM Transmitter
Coding type	Code hopping
Number of code combinations	Over 4.29 billion random codes
Code generation	Non-linear encryption algorithm
Transmitter battery	CR2032 (3 Volts)
Courtesy light	Edison (screw mount) 240V 60W rough service (or construction type)
Controller fuse	5A slow blow

NOTE:

1. The door must be well balanced. A person should be able to lift the door up manually with very little effort in case of an emergency.
2. Intermittent operations may occur in areas which experience very strong winds. Strong wind puts extra pressure on the door and tracks which may in turn trigger the safety obstruction detection system intermittently.





Troubleshooting

Symptom	Possible cause	Remedy
Door will not operate	Mains power not switched on.	Switch on mains power.
	Door is obstructed.	Remove obstruction.
	Door is locked or motor jammed.	Unlock door or remove jam.
	Door tracks/hardware damaged.	Door requires service/repair by qualified technician.
	The opener is in "vacation mode"	Turn off "vacation mode".
Door starts to close but automatically reverses to open position	Adverse weather conditions (wind or cold) causing door to stiffen and become tight in the tracks.	Increase force margin setting See page 19 or re-calculate force margin.
	Possible obstruction in the doorway.	Remove obstruction.
Door operates from drive unit (OPERATE) button but not from transmitter* See note	Transmitter code not stored in memory.	Code transmitter in to openers memory. Refer step 19.1 on page 20
	Flat battery.	Replace battery
	Broken battery lead inside transmitter	Send transmitter to installer or Automatic Technology for repair
Door will not close fully.	Door limits positions need to be reset.	Reset limits positions. Step 16.4, page 17.
Door will not open fully.	Door limits positions need to be reset.	Reset limits positions. Step 16.4, page 17.
Courtesy light not working	Globe down	Replace globe - Edison type 240V 60W
Globe keeps blowing	Incorrect globe voltage - must be 240V AC	Replace globe - Edison type 240V 60W
Auto close not working	PE Beam or wiring faulty.	Repair PE Beam or replace wiring.
	PE Beam not aligned correctly.	Re-align optics.
	PE Beam is obstructed.	Remove obstruction from path of PE.
	Door obstructed when closing.	Remove obstruction.
	Auto close time not set.	See Step 23 on page 22.
	Auto close mode not set	See Step 23 on page 22.

PLEASE NOTE:

Some areas may be prone to excessive radio interference brought on by devices such as cordless telephones, wireless stereo headphones and baby monitors. It is possible that these devices could cause a degree of interference such as to greatly reduce the range of the transmitter. In such an instance please contact your Automatic Technology dealer for an alternative frequency replacement kit. As this is not a warrantable situation but an environmental issue charges may apply for the change-over.





Maintenance

Maintenance

The SERVICE LED will indicate the requirement for a service and/or adjustment. To reset the SERVICE LED when the door is serviced, reprogram the Door Travel Limits and the Door Travel Force – on completion of this programming the SERVICE LED will go out.

Whilst your opener does not require any periodic maintenance, the door that it is fitted to does. Your garage door is a large, heavy, moving object and should be tested regularly to ensure it is in good condition. A poorly maintained door could cause fatal or serious injuries or serious damage to property.

To ensure a long and trouble free life for your opener the following is recommended:

Monthly

- Disengage the opener and manually operate the door: The door must be smooth to operate by hand. An operating force on the bottom rail should not exceed 150N (15kg) force.
- Each month check that the opener reverses when the door contacts a 50mm high object placed on the floor (AS3350). Refer to Testing the Safety System (Step 16).

NOTE: If the door does not operate smoothly, call your installer.

Service Record

Record any maintenance in the following table to assist in any warranty service.

Date	Service by	Signature	Invoice No.	Amount

Yearly

Automatic Technology suggests you contact your installer to perform an annual door service.

CAUTION: Frequently examine door, particularly cables, springs and mountings for signs of wear, damage or imbalance. Do not use if repair or adjustment is needed since a fault in the installation or an incorrectly balanced door may cause injury. (AS3350)

Adjustments should only be carried out by experienced persons, as this function can be dangerous if not performed under strict safety procedures.

WARNING! Failure to maintain your garage door may void the warranty on your garage door opener.

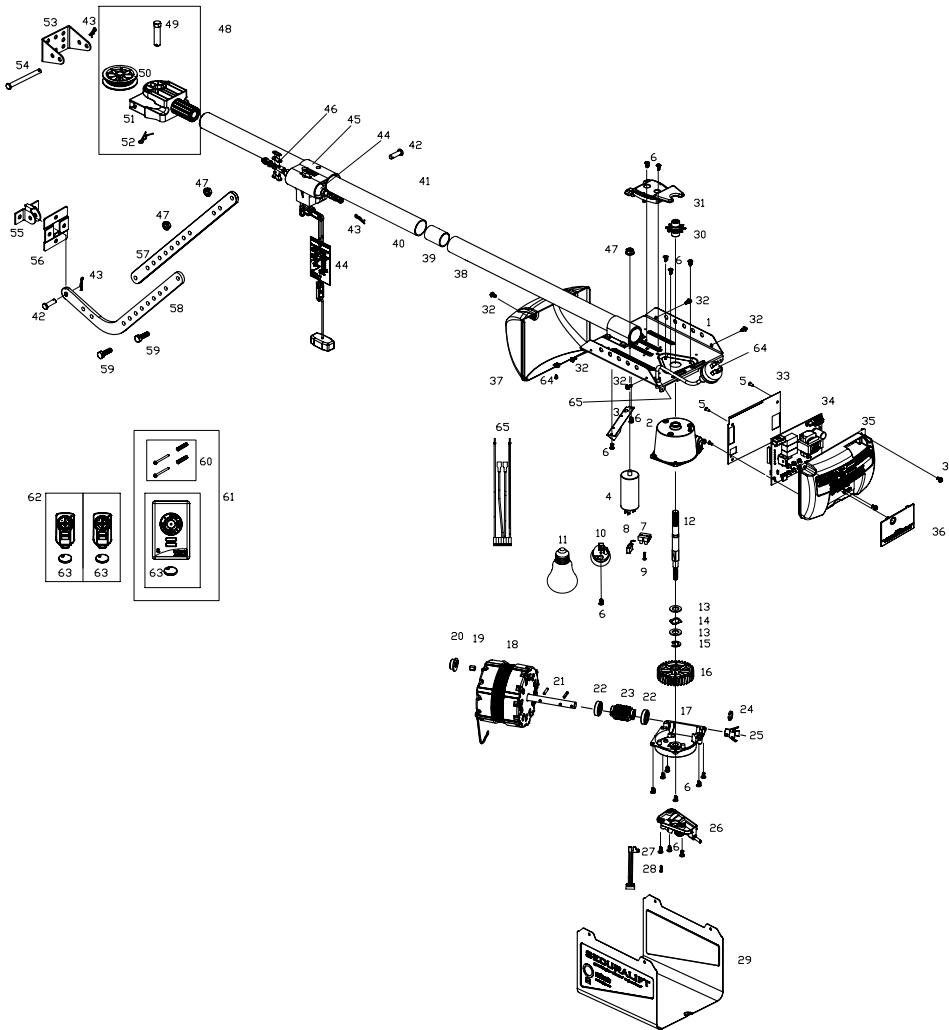
Warranty Expired Indicator

When the opener reaches the number of cycles covered by warranty the courtesy light will flash 10 times after each operation to indicate that the warranty has expired. This flashing will continue for twenty (20) operations unless the user acknowledges the warranty expiry indicator and stops the light from flashing. To stop the courtesy light flashing press the LIMIT SET button while the light is flashing after an operation.





Spare Parts



ITEM	DESCRIPTION	ORDER CODE
1	BASE AV2 SUB ASS'Y	02153
2	GEARBOX BASE ASS'Y	71666
3	RUBBER STOP BRACKET	02644
4	CAPACITOR 15uF	14402
5	TAPTITE SCREW #M4x8	10581
6	TAPTITE SCREW'S M4x10	10504
7	TERMINAL BLOCK 2 POS.	05421
8	CAP.POLYFILM 0.1uF	07575
9	PAN HD SCREW M3x14	10361
10	LAMP HOLDER LS-204-1	05761
11	GLOBE 240V 60W	14210
12	DRIVE SHAFT 12.7-156	04543
13	THRUST WASHER NTA-815	14300
14	WAVE SPRING WASHER	12380
15	E-CIRCLIP N1540 0050	10799
16	HELICAL GEAR 34209	04941
17	GEARBOX LID ASS'Y	71668
18	AC MOTOR 250W FM-62409B	14411
19	HEX.SPACER M5.0A/Fx10	11192
20	RUBBER STOP 20x10	02640
21	SEL-LOCK PIN SPRING ACP M4x20	02590
22	BALL BEARING R8ZZ	03916
23	WORM 2520x30-2S	72212
24	CHOPPER CLIP	04960
25	CHOPPER WHEEL	04951
26	RATCHET TIMING ASSY	01737
27	SENSOR ASS'Y SV1	01689
28	TAPTITE SCREW #M3x8	10560
29	COVER SP AV2	01595
30	SPROCKET 8T SPL	72210
31	CHAIN SPREADER SV1	72435
32	FLANGE TAPTITE SCREW'S M4x10	10497
33	BOARD SHIELD ACB05	14052
34	CONTROL BOARD ACB05	00822
35	BOARD HOUSING S-AV AV2	01587
36	CONTROLS LID	05108
37	LIGHT DIFFUSER	13902
38	TUBE 338605	13801
39	TUBE INSERT 2970	13830
40	INDEX TUBE 338605	13811
41	CHAIN 1/2"x1/8"(499 LINKS)	03000
42	CLEVIS PIN DIA 8	02550
43	SNAP PIN SSP 8 ZNU 31080	10720
44	CHAIN INDEX CX ASS'Y	01452
45	SHUTTLE ASS'Y	00272
46	CHAIN JOINT LINK	02950
47	HEX SERRATION FLANGE NUT M8	10148
48	PIPE ADAPTOR ASS'Y	00297
49	WHEEL AXLE	13845
50	CHAIN IDLE WHEEL	02962
51	PIPE ADAPTOR	00297
52	SNAP PIN SSP-12	10730
53	WALL BRACKET	02521
54	PIN	05790
55	DOOR BRACKET LOCATOR	02515
56	DOOR BRACKET	02511
57	STRAIGHT ARM	02800
58	BENT ARM	02950
59	HEX HEAD SCREW M8x25	10110
60	PLASTIC WALL PLUG PACK	014790
61	WALL TRANSMITTER WTX-4	01195
62	TRANSMITTER PTX-5	01170
63	LITHIUM BATTERY 3V CR203	13021
64	POWER CORD	05666
65	HARNES AV2	14142





Warranty and Exclusion of Liability

1. This warranty is an addition to any non-excludable conditions or warranties that are implied into this contract by relevant statute, including the Trade Practices Act 1974 (Cwth).
2. Subject to all of the matters set out below, Automatic Technology Australia Pty Ltd ("ATA") warrants:
 - (a) overhead door opener drive units for twenty four (24) months or 5000 cycles, whichever occurs first; and
 - (b) all components and accessories for twelve (12) months, from the date of purchase (specified in the sales docket receipt) as free of any defects in material and workmanship.
3. This warranty applies only where the purchaser:
 - (a) immediately notifies ATA or the retailer of the alleged defect;
 - (b) returns the product to the retailer; and
 - (c) presents the relevant sales docket and this warranty document to the retailer to confirm the date of purchase.
4. Except for this warranty, ATA gives no warranties of any kind whatsoever (whether express or implied), in relation to the product, and all warranties of whatsoever kind relating to the product are, to the extent permissible by statute, hereby excluded.
5. To the extent permissible by statute, ATA disclaims any liability of whatsoever nature in respect of any claim or demand for loss or damage which arises out of:
 - (a) accidental damage to or normal wear and tear to the product or to the product's components;
 - (b) any cost relating to damage resulting from wear and tear;
 - (c) blown fuses, loss or damage caused by electrical surges, power surges or power spikes;
 - (d) loss or damage due to theft, fire, flood, rain, water, lightning, storms or any other acts of God;
 - (e) maximum continuous operating time exceeding one (1) minute in ten (10);
 - (f) maximum operating force exceeding *20kg (200N) when moving the door manually to the open or closed position;
 - (g) door surface area and/or weight exceeding 16.5m² and 100kg respectively;
 - (h) door not in safe and correct working order and condition;
 - (i) evidence of unauthorised repairs;
 - (j) any cost relating to damage caused by misuse, negligence or failure to maintain the equipment in a proper working order as per clauses (d) through (h);
 - (k) installation, adjustment or use which is not in accordance with the instructions set out in installation instruction manual
 - (l) attempted or complete modification or repairs to the product carried out by a person who is not authorised or has not been trained by ATA to carry out such modification or repairs;
 - (m) faulty or unsuitable wiring of structure to which the product is fixed or connected;
 - (n) radio (including citizen band transmission) or any electrical interference;
 - (o) damage caused by insects;
 - (p) loss or damage to any property whatsoever or any loss or expense whatsoever resulting or arising there from or any consequential loss;
 - (q) any cost or expense arising due to manufacturer recall of any product;
 - (r) any cost or expense due to negligence of the approved service provider;
 - (s) installation of a residential garage door opener in a commercial or industrial situation or a non-single residential dwelling.
6. ATA's liability under this warranty is limited, at ATA's absolute option, to replacing or repairing the product which ATA, in its unfettered opinion, considers to be defective either in material and/or workmanship or to credit the dealer with the price at which the product was purchased by the dealer.
7. This warranty does not extend to cover labour for installation.
8. This warranty is limited to Return-to-Base (RTB) repair and does not cover labour for on-site attendance.
9. This warranty is void if the Product is not returned to the manufacturer in original or suitably secure packaging.
10. This warranty is only applicable for repairs to the product carried out within Australia.
11. This warranty does not cover consumable items including globes, batteries and fuses.
12. This warranty is not transferable.
13. Where the Product is retailed by any person other than ATA, except for the warranty set out above, such person has no authority from ATA to give any warranty or guarantee on ATA's behalf in addition to the warranty set out above.

NOTES:

1. One (1) cycle = one (1) open and one (1) close action of the door or gate.
2. This warranty is to be read in conjunction with the owner's copy of the installation instruction manual.
- 3 *The door should be balanced in such a way that the user manually is able to open or close the door without using force not greater than 150N (15kg) although a greater force may be required for the start of the movement.





smart | simple | secure





© January 2008 Automatic Technology (Australia) Pty Ltd. All rights reserved. TrioCode™ and SecuraLift® are trademarks of Automatic Technology (Australia) Pty Ltd. No part of this document may be reproduced without prior permission. In an ongoing commitment to product quality we reserve the right to change specification without notice. E&OE.

automatic
TECHNOLOGY

smart | simple | secure

an alesco company

Automatic Technology (Australia) Pty Ltd

ABN 11 007 125 368

6-8 Fiveways Boulevard
Keysborough, Victoria, 3173, Australia

P 1300 133 944

+61 2 9722 5666 (International Enquiries Only)

E sales@ata-aust.com.au

www.ata-aust.com.au